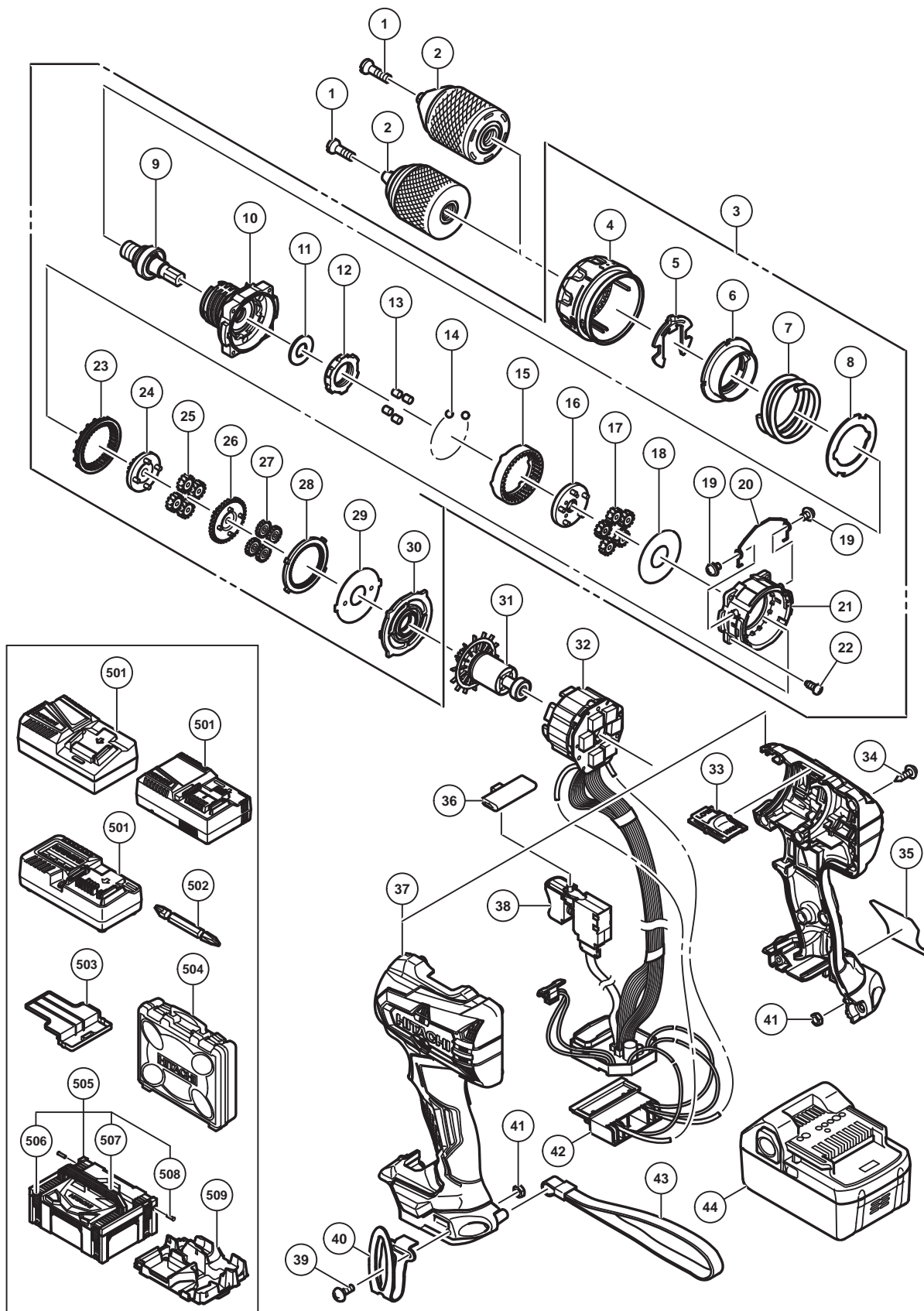


## ELECTRIC TOOL PARTS LIST

■ CORDLESS DRIVER DRILL  
Model DS 18DBSL

2016-12-12  
(E1)



**PARTS**

DS 18DBSL

| ITEM NO. | CODE NO. | DESCRIPTION | NO. USED                                      | REMARKS |                |
|----------|----------|-------------|---|---------|----------------|
| *        | 1        | 370908      | SEAL LOCK FLAT HD.SCREW (LEFT HAND) M6 X 20.5 | 1       |                |
| *        | 1        | 370909      | SEAL LOCK FLAT HD.SCREW (LEFT HAND) M6 X 25   | 1       | FOR EUROPE,RUS |
| *        | 2        | 335961      | DRILL CHUCK 13VLRU-N (W/O CHUCK WRENCH)       | 1       |                |
| *        | 2        | 370897      | DRILL CHUCK 13VLRB-Z (W/O CHUCK WRENCH)       | 1       | FOR EUROPE,RUS |
|          | 3        | 370592      | GEAR BOX ASS'Y                                | 1       | INCLUD.4-30    |
|          | 4        | 370610      | CLUTCH DIAL (A)                               | 1       |                |
|          | 5        | 327146      | CLICK SPRING                                  | 1       |                |
|          | 6        | 370602      | NUT   | 1       |                |
|          | 7        | 370607      | SPRING  | 1       |                |
|          | 8        | 370603      | THRUST PLATE                                  | 1       |                |
|          | 9        | 370596      | SPINDLE                                       | 1       |                |
|          | 10       | 370594      | FRONT CASE                                    | 1       |                |
|          | 11       | 328717      | WASHER (B)                                    | 1       |                |
|          | 12       | 370609      | LOCK RING                                     | 1       |                |
|          | 13       | 319744      | ROLLER  | 4       |                |
|          | 14       | 306936      | STEEL BALL D5                                 | 6       |                |
|          | 15       | 370606      | RING GEAR                                     | 1       |                |
|          | 16       | 370600      | CARRIER                                       | 1       |                |
|          | 17       | 370616      | PLANET GEAR (C) SET (5 PCS.)                  | 5       |                |
|          | 18       | 331892      | WASHER (A)                                    | 1       |                |
|          | 19       | 331895      | SCREW SET D2 (2 PCS.)                         | 2       |                |
|          | 20       | 370608      | SHIFT ARM                                     | 1       |                |
|          | 21       | 370601      | REAR CASE                                     | 1       |                |
|          | 22       | 324357      | SCREW SET D3 X 12 (4 PCS.)                    | 4       |                |
|          | 23       | 370605      | SLIDE RING GEAR                               | 1       |                |
|          | 24       | 370599      | PINION (C)                                    | 1       |                |
|          | 25       | 370615      | PLANET GEAR (B) SET (4 PCS.)                  | 4       |                |
|          | 26       | 370598      | PINION (B)                                    | 1       |                |
|          | 27       | 370614      | PLANET GEAR (A) SET (4 PCS.)                  | 4       |                |
|          | 28       | 370604      | FIRST RING GEAR                               | 1       |                |
|          | 29       | 339761      | WASHER (B)                                    | 1       |                |
|          | 30       | 339762      | MOTOR SPACER                                  | 1       |                |
|          | 31       | 361048      | ROTOR PINION SET                              | 1       |                |
|          | 32       | 370619      | WIRING ASS'Y                                  | 1       | INCLUD.38,42   |
|          | 33       | 330583      | SHIFT KNOB                                    | 1       |                |
|          | 34       | 313687      | TAPPING SCREW (W/FLANGE) D3 X 16 (BLACK)      | 9       |                |
|          | 35       |             | NAME PLATE                                    | 1       |                |
|          | 36       | 339768      | PUSHING BUTTON                                | 1       |                |
|          | 37       | 370618      | HOUSING (A).(B) SET                           | 1       |                |
|          | 38       | 370151      | DC-SPEED CONTROL SWITCH                       | 1       |                |
|          | 39       | 327001      | TRUSS HD. SCREW M4 (BLACK)                    | 1       |                |
|          | 40       | 332824      | HOOK  | 1       |                |
|          | 41       | 327002      | LOCK NUT M4 (BLACK)                           | 2       |                |
|          | 42       | 339769      | BATTERY TERMINAL                              | 1       |                |
|          | 43       | 306952      | STRAP (BLACK)                                 | 1       |                |
| *        | 44       | 335790      | BATTERY BSL 1850 (EUROPE,AUS,NZL)             | 2       | INCLUD.503     |
| *        | 44       | 370739      | BATTERY BSL 1850 (KOR)                        | 2       | INCLUD.503     |
| *        | 44       | 339783      | BATTERY BSL 1830C (EUROPE,AUS,NZL)            | 2       | INCLUD.503     |
| *        | 44       | 330068      | BATTERY BSL 1830 (EUROPE,AUS,NZL)             | 2       | INCLUD.503     |
| *        | 44       | 334729      | BATTERY BSL 1830 (TPE)                        | 2       | INCLUD.503     |

**PARTS**

DS 18DBSL

| ITEM NO. | CODE NO. | DESCRIPTION            | NO. USED | REMARKS    |
|----------|----------|------------------------|----------|------------|
| * 44     | 336690   | BATTERY BSL 1830 (THA) | 2        | INCLUD.503 |
|          |          |                        |          |            |
|          |          |                        |          |            |
|          |          |                        |          |            |
|          |          |                        |          |            |
|          |          |                        |          |            |
|          |          |                        |          |            |
|          |          |                        |          |            |
|          |          |                        |          |            |
|          |          |                        |          |            |

**STANDARD ACCESSORIES**

| ITEM NO. | CODE NO. | DESCRIPTION               | NO. USED | REMARKS        |
|----------|----------|---------------------------|----------|----------------|
| * 501    |          | CHARGER (MODEL UC 18YFSL) | 1        |                |
| * 501    |          | CHARGER (MODEL UC 18YSL3) | 1        |                |
| * 501    |          | CHARGER (MODEL UC 18YKSL) | 1        |                |
| 502      | 983006   | + DRIVER BIT NO.2 65L     | 1        |                |
| * 503    | 329897   | BATTERY COVER             | 1        |                |
| * 504    | 337852   | CASE                      | 1        |                |
| * 504    | 337140   | CASE                      | 1        | LARGE SIZE     |
| * 505    | 336471   | CASE ASS'Y (STACKABLE 2)  | 1        | INCLUD.506-508 |
| * 506    | 336472   | LATCH                     | 4        |                |
| * 507    | 336473   | HANDLE                    | 1        |                |
| * 508    | 336474   | HINGE                     | 2        |                |
| * 509    | 336475   | INNER TRAY                | 1        |                |
|          |          |                           |          |                |
|          |          |                           |          |                |
|          |          |                           |          |                |
|          |          |                           |          |                |
|          |          |                           |          |                |
|          |          |                           |          |                |
|          |          |                           |          |                |
|          |          |                           |          |                |
|          |          |                           |          |                |

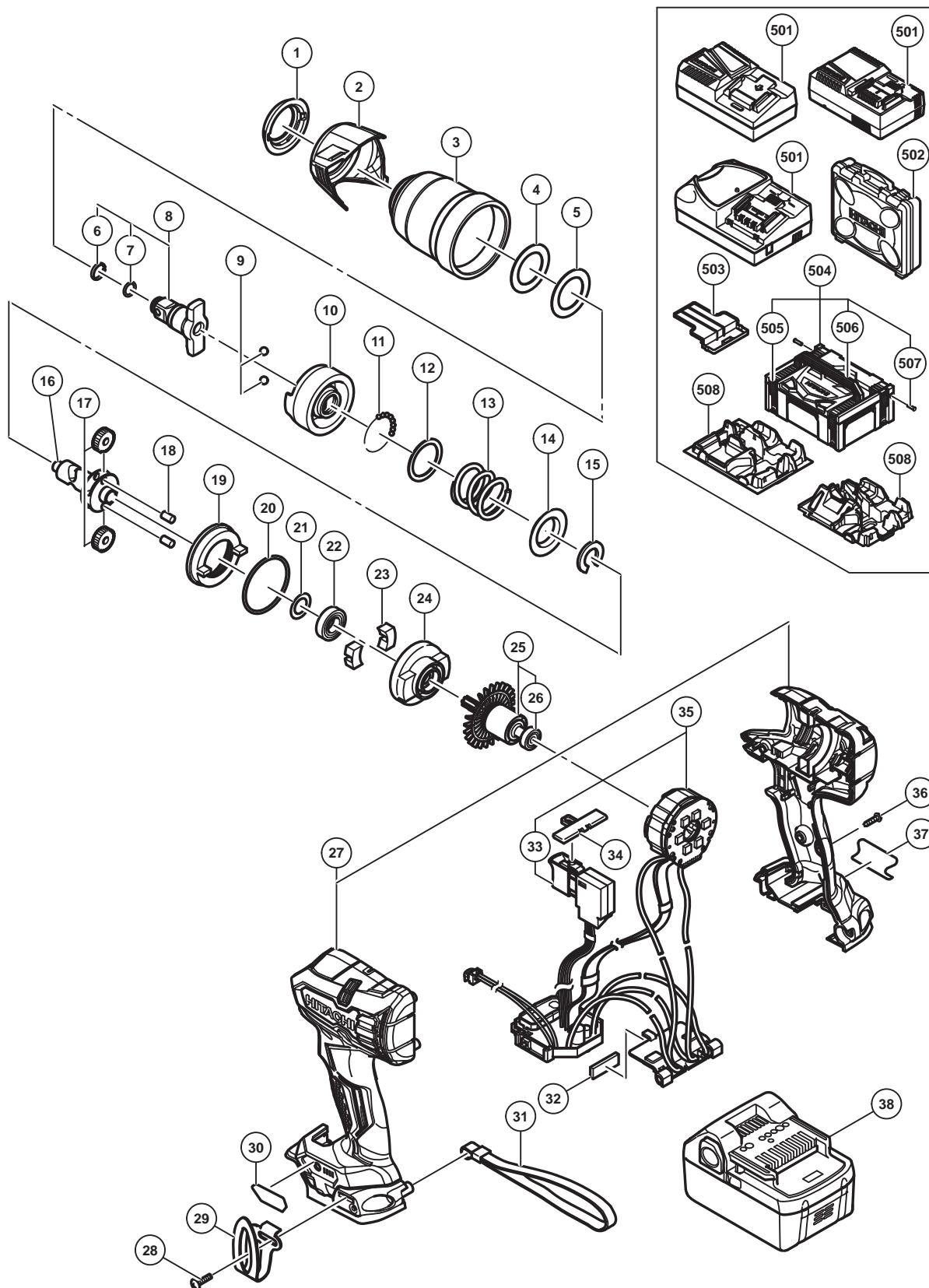
**OPTIONAL ACCESSORIES**

| ITEM NO. | CODE NO. | DESCRIPTION                | NO. USED | REMARKS |
|----------|----------|----------------------------|----------|---------|
| 601      | 955657   | - DRIVER BIT (A) 3MM X 70L | 1        |         |
| 602      | 955659   | - DRIVER BIT (A) 4MM X 70L | 1        |         |
| 603      | 955674   | - DRIVER BIT (A) 6MM X 70L | 1        |         |
| 604      | 983004   | + DRIVER BIT NO.1 65L      | 1        |         |
| 605      | 983011   | + DRIVER BIT NO.3 65L      | 1        |         |
|          |          |                            |          |         |
|          |          |                            |          |         |
|          |          |                            |          |         |
|          |          |                            |          |         |
|          |          |                            |          |         |

## ELECTRIC TOOL PARTS LIST

### CORDLESS IMPACT WRENCH Model WR 18DBDL2

2016-10-19  
(E1)



**PARTS**

WR 18DBDL2

| ITEM NO. | CODE NO.  | DESCRIPTION                              | NO. USED | REMARKS    |
|----------|-----------|--|----------|------------|
| 1        | 370950    | FRONT CAP                                | 1        |            |
| 2        | 370938    | PROTECTOR                                | 1        |            |
| 3        | 370943    | HAMMER CASE                              | 1        |            |
| 4        | 370945    | THRUST DAMPER                            | 1        |            |
| 5        | 370944    | WASHER (F)                               | 1        |            |
| 6        | 370951    | FRICTION RING (B)                        | 1        |            |
| 7        | 315382    | O-RING (P-8)                             | 1        |            |
| 8        | 370933    | ANVIL ASS'Y                              | 1        | INCLUD.6,7 |
| 9        | 959154    | STEEL BALL D5.556 (10 PCS.)              | 2        |            |
| 10       | 370947    | HAMMER                                   | 1        |            |
| 11       | 959148    | STEEL BALL D3.175 (10 PCS.)              | 28       |            |
| 12       | 315978    | WASHER (J)                               | 1        |            |
| 13       | 370946    | HAMMER SPRING (L)                        | 1        |            |
| 14       | 316172    | WASHER (S)                               | 1        |            |
| 15       | 316171    | STOPPER                                  | 1        |            |
| 16       | 370949    | SPINDLE                                  | 1        |            |
| 17       | 326295    | IDLE GEAR SET (2 PCS.)                   | 2        |            |
| 18       | 319914    | NEEDLE ROLLER                            | 2        |            |
| 19       | 370948    | RING GEAR (E)                            | 1        |            |
| 20       | 983852    | O-RING (S-42)                            | 1        |            |
| 21       | 319911    | WASHER (E)                               | 1        |            |
| 22       | 323118    | BALL BEARING 6901VV-N                    | 1        |            |
| 23       | 333952    | DAMPER                                   | 2        |            |
| 24       | 332185    | INNER COVER                              | 1        |            |
| 25       | 361055    | ROTOR PINION ASS'Y                       | 1        | INCLUD.26  |
| 26       | 333826    | BALL BEARING 625DD                       | 2        |            |
| 27       | 370935    | HOUSING (A).(B) SET                      | 1        |            |
| 28       | 327001    | TRUSS HD. SCREW M4 (BLACK)               | 1        |            |
| 29       | 336372    | HOOK                                     | 1        |            |
| 30       | 370937    | PANEL SHEET (D)                          | 1        |            |
| 31       | 306952    | STRAP (BLACK)                            | 1        |            |
| 32       | 331101    | CUSHION                                  | 1        |            |
| 33       | 339217    | DC-SPEED CONTROL SWITCH                  | 1        |            |
| 34       | 324225    | PUSHING BUTTON (B)                       | 1        |            |
| 35       | 370942    | WIRING ASS'Y                             | 1        | INCLUD.33  |
| 36       | 307811    | TAPPING SCREW (W/FLANGE) D4 X 16 (BLACK) | 9        |            |
| 37       |           | NAME PLATE                               | 1        |            |
| *        | 38 338891 | BATTERY BSL 1860 (EUROPE,AUS,NZL)        | 2        | INCLUD.503 |
| *        | 38 335790 | BATTERY BSL 1850 (EUROPE,AUS,NZL)        | 2        | INCLUD.503 |
| *        | 38 336265 | BATTERY BSL 1850 (CHN)                   | 2        | INCLUD.503 |
| *        | 38 370739 | BATTERY BSL 1850 (KOR)                   | 2        | INCLUD.503 |
| *        | 38 330068 | BATTERY BSL 1830 (EUROPE,AUS,NZL)        | 2        | INCLUD.503 |
| *        | 38 334729 | BATTERY BSL 1830 (TPE)                   | 2        | INCLUD.503 |
| *        | 38 336690 | BATTERY BSL 1830 (THA)                   | 2        | INCLUD.503 |
| *        | 38 339782 | BATTERY BSL 1830C (USA,CAN)              | 2        | INCLUD.503 |
|          |           |  |          |            |
|          |           |  |          |            |
|          |           |  |          |            |
|          |           |  |          |            |
|          |           |  |          |            |
|          |           |  |          |            |

**STANDARD ACCESSORIES**

WR 18DBDL2

| ITEM NO. | CODE NO. | DESCRIPTION               | NO. USED | REMARKS        |
|----------|----------|---------------------------|----------|----------------|
| * 501    |          | CHARGER (MODEL UC 18YFSL) | 1        |                |
| * 501    |          | CHARGER (MODEL UC 18YSL3) | 1        |                |
| * 501    |          | CHARGER (MODEL UC 18YML2) | 1        |                |
| * 502    | 337852   | CASE                      | 1        |                |
| 503      | 329897   | BATTERY COVER             | 1        |                |
| * 504    | 336471   | CASE ASS'Y (STACKABLE 2)  | 1        | INCLUD.505-507 |
| * 505    | 336472   | LATCH                     | 4        |                |
| * 506    | 336473   | HANDLE                    | 1        |                |
| * 507    | 336474   | HINGE                     | 2        |                |
| * 508    | 339776   | INNER TRAY                | 1        |                |
| * 508    | 336475   | INNER TRAY                | 1        | EXCEPT FOR GBR |
|          |          |                           |          |                |
|          |          |                           |          |                |
|          |          |                           |          |                |
|          |          |                           |          |                |

**OPTIONAL ACCESSORIES**

| ITEM NO. | CODE NO. | DESCRIPTION                                | NO. USED | REMARKS        |
|----------|----------|--|----------|----------------|
| 601      | 873537   | SOCKET PIN                                 | 1        |                |
| 602      | 873187   | O-RING (J1SW1516)                          | 1        |                |
| 603      | 991481   | FORM TIE SOCKET ASS'Y 11.3MM X 95L         | 1        | INCLUD.601,602 |
| 604      | 992610   | UNIVERSAL JOINT ASS'Y                      | 1        | INCLUD.601,602 |
| 605      | 955153   | UNIVERSAL JOINT PIN                        | 1        |                |
| 606      | 991476   | BIT ADAPTER ASS'Y                          | 1        | INCLUD.601,602 |
| 607      | 944291   | HEX. SOCKET ASS'Y 10MM X 40L               | 1        | INCLUD.601,602 |
| 608      | 873632   | HEX. SOCKET ASS'Y 12MM X 40L               | 1        | INCLUD.601,602 |
| 609      | 873539   | HEX. SOCKET ASS'Y 13MM X 40L               | 1        | INCLUD.601,602 |
| 610      | 873540   | HEX. SOCKET ASS'Y 14MM X 40L               | 1        | INCLUD.601,602 |
| 611      | 873536   | HEX. SOCKET ASS'Y 17MM X 32L               | 1        | INCLUD.601,602 |
| 612      | 873624   | HEX. SOCKET ASS'Y 19MM X 34L               | 1        | INCLUD.601,602 |
| 613      | 873626   | HEX. SOCKET ASS'Y 21MM X 36L               | 1        | INCLUD.601,602 |
| 614      | 873627   | HEX. SOCKET ASS'Y 22MM X 40L               | 1        | INCLUD.601,602 |
| 615      | 986058   | HEX. SOCKET FOR PLASTIC CONE 12MM X 70L    | 1        | INCLUD.601,602 |
| 616      | 873633   | EXTENSION BAR ASS'Y (SQUARE) 12.7MM X 100L | 1        | INCLUD.601,602 |
| 617      | 955138   | HEX. SOCKET ASS'Y (LONG) 12MM X 52L        | 1        | INCLUD.601,602 |
| 618      | 955139   | HEX. SOCKET ASS'Y (LONG) 13MM X 52L        | 1        | INCLUD.601,602 |
|          |          |  |          |                |
|          |          |  |          |                |
|          |          |  |          |                |
|          |          |  |          |                |
|          |          |  |          |                |
|          |          |  |          |                |
|          |          |  |          |                |
|          |          |  |          |                |
|          |          |  |          |                |
|          |          |  |          |                |
|          |          |  |          |                |
|          |          |  |          |                |
|          |          |  |          |                |